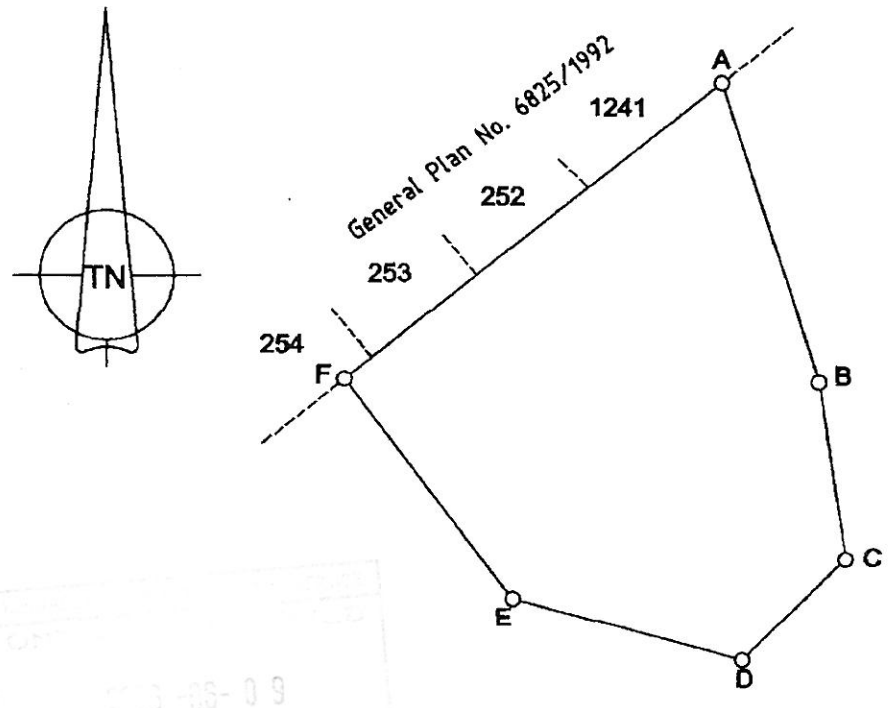


SIDES metres		ANGLES OF DIRECTION	CO-ORDINATES System: WG 19		SG No.
			Y	X	
			Constants +100 000,00	+3 630 000,00	2781/2006
AB	42,88	342 39 50	A	+2 955,28	+1 571,17
BC	24,19	351 53 40	B	+2 942,51	+1 812,10
CD	19,55	45 00 20	C	+2 939,10	+1 636,04
DE	31,67	105 28 00	D	+2 952,92	+1 649,86
EF	37,25	143 12 50	E	+2 983,44	+1 641,42
FA	64,65	231 18 30	F	+3 005,75	+1 611,59
(3) KASTEELBERG ▲				-1 512,79	+2 719,11
(5) PATERNOSTER ▲				+5 807,69	+5 154,17

Approved
[Signature]
 for
 Surveyor-General
 2006-05-30

DESCRIPTION OF BEACONS:

All beacons : 12mm round iron peg



Portion 37 of the Farm Uitkomst No. 23

SCALE 1:1000

The figure A B C D E F represents 3038 square metres of land, being a
 * NATIONAL MONUMENT AREA OVER PORTION 37 OF THE FARM UITKOMST No. 23
 Situate in the Municipality of Saldanha Bay Administrative District of
 Malmesbury Province Western Cape

Surveyed in April 2006
 by me, *[Signature]* CJ Sadie (PLS 0540) Professional Land Surveyor

This diagram is annexed to No. d.d. i.f.o	The original diagram is No. 8134/1986 annexed to Transfer No.1987. .13809	File No. Malm. 23 S.R. No. 1111/2006 Comp. (2271) LPI C0460000
	Registrar of Deeds	

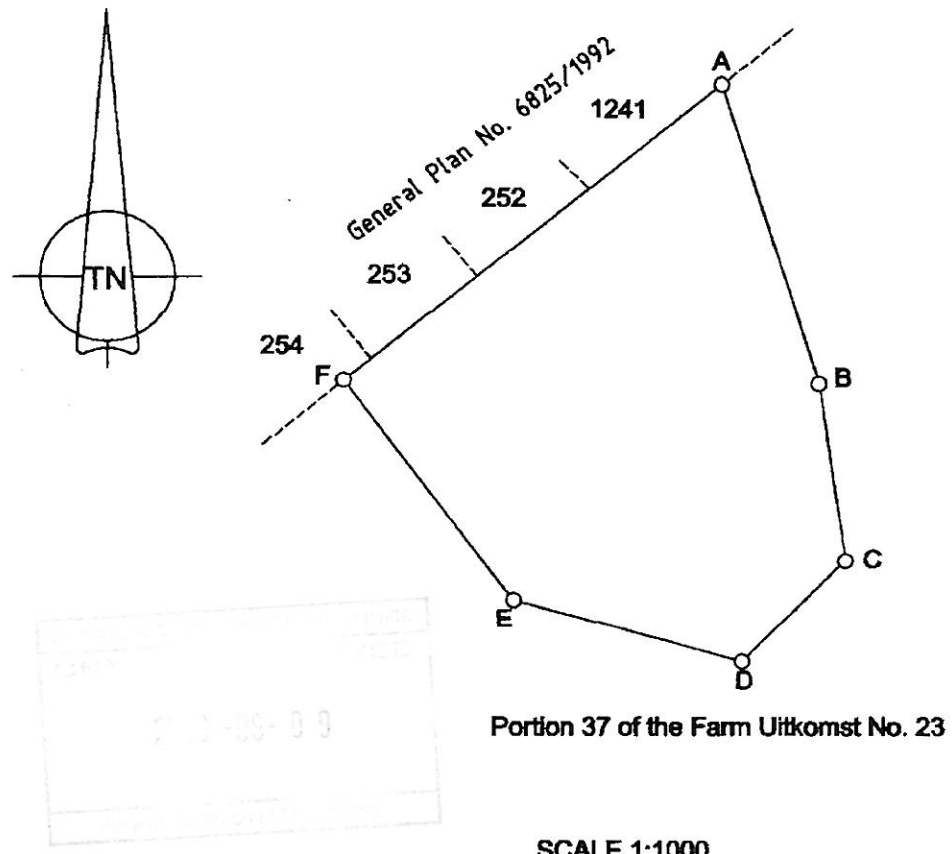


SIDES metres		ANGLES OF DIRECTION	CO-ORDINATES System: WG 19		SG No.
			Y	X	
			Constants +100 000,00	+3 630 000,00	2781/2006
AB	42,88	342 39 50	A	+2 955,28	+1 571,17
BC	24,19	351 53 40	B	+2 942,51	+1 812,10
CD	19,55	45 00 20	C	+2 939,10	+1 636,04
DE	31,67	105 28 00	D	+2 952,92	+1 649,86
EF	37,25	143 12 50	E	+2 983,44	+1 641,42
FA	64,65	231 18 30	F	+3 005,75	+1 611,59
(3) KASTEELBERG ▲				-1 512,79	+2 719,11
(5) PATERNOSTER ▲				+5 807,69	+5 154,17

Approved
[Signature]
 for
 Surveyor-General
 2006-05-30

DESCRIPTION OF BEACONS:

All beacons : 12mm round iron peg



Portion 37 of the Farm Uitkomst No. 23

SCALE 1:1000

The figure A B C D E F represents 3038 square metres of land, being a
 * ~~NATIONAL MONUMENT AREA OVER PORTION 37 OF THE FARM UITKOMST No. 23~~ BAR
 Situate in the Municipality of Saldanha Bay Administrative District of Malmesbury Province Western Cape

Surveyed in April 2006
 by me, *[Signature]* CJ Sadie (PLS 0540) Professional Land Surveyor

This diagram is annexed to No. d.d. i.f.o	The original diagram is No. 8134/1986 annexed to Transfer No.1987. .13809	File No. MaIm. 23 S.R. No. 1111/2006 Comp. (2271) LPI C0460000
	Registrar of Deeds	